

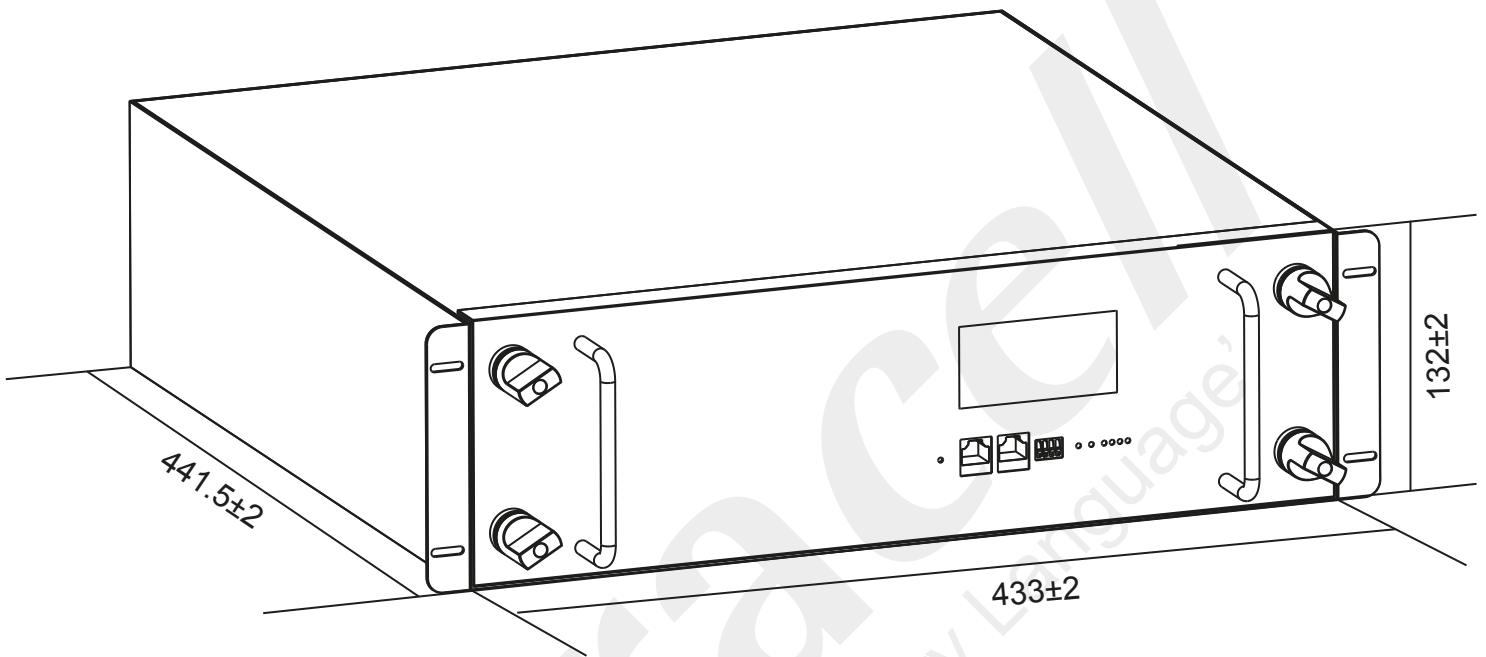
Ultracell®

'Quality in Every Language'

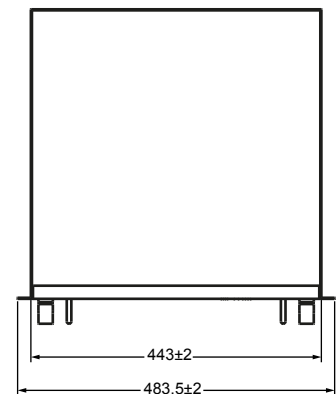
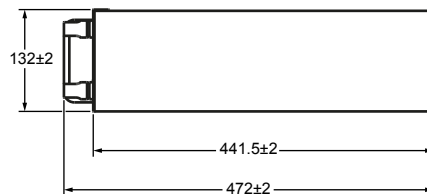
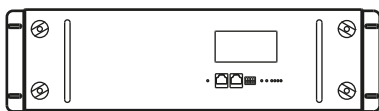
LIT50-48C

48V 50Ah

Lithium Series



Technical Dimensions (mm)



LIT50-48C (Without Display)



LIT50-48C (With Display)



*Optional LCD Display Screen Available.

Technical Specification

Output	Nominal Voltage	48V
	Nominal Capacity (5HR)	50 Ah
Rated Capacity	(5HR, 25°C)	50 Ah/10A
	Container Material	Container Material Flame Retardant Option (FR) IP Class
Voltage	Discharge Ending Voltage	40.5V
	Charging Limited Voltage	54V
Current	Max. Charging Current	50A
	Max. Discharge Current	50A
Connections	Parallel connection is optional (up to 16P) When paralleling, the max charging current is 10A	
Containing Cell	3.2V 50 Ah	
Discharge Characteristics	Operating Temperature	Charging: 0 ~ 45°C
		Discharging: -20 ~ 60°C
		Storage: -20 ~ 60°C
Cycle Life	More than 3500 cycles at 100% DOD.	
Design Life	15 Years	
Battery Management System	Complete with BMS unit measuring current, voltage, single cell surface temperature and the ambient temperature of the battery. It offers four remote functions which can communicate with a far-end central control center by computer management	

Self Discharge

Ultracell[®] LIT batteries may be stored for up to 2 years at 25°C and then a refresh charge is required. For higher temperatures the time intervals will be shorter.

Constant Current Discharge / Constant Power Discharge At 25°C (Amperes & Watts/Cell)

A = Amperes W = Watts

A	End of Discharge Voltage 40.5V	60 min	2 hours	3 hours	4 hours	5 hours	10 hours
		47.5	24.0	16.6	12.5	10	5
W		2400	1205	805	605	484	243

